

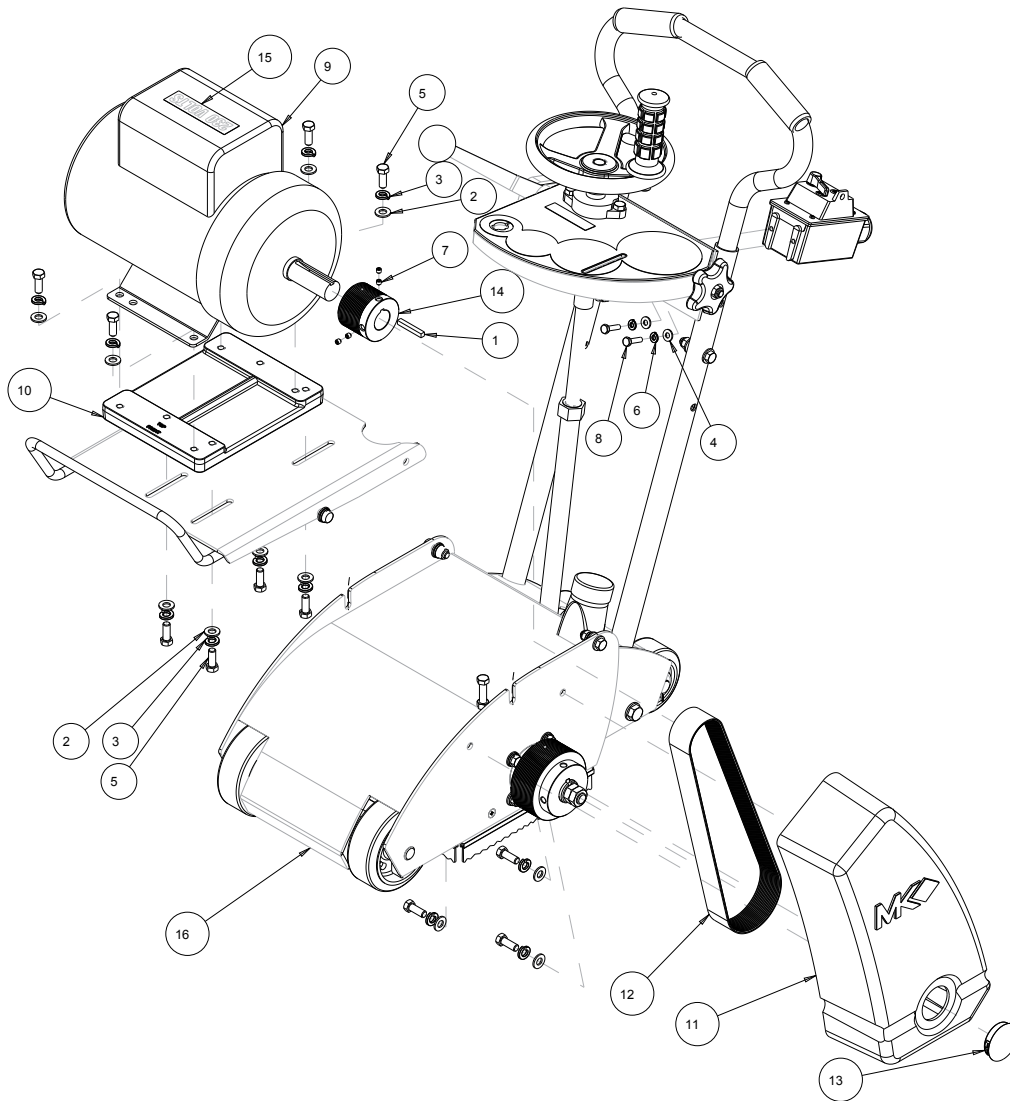
ITEM	DESCRIPTION	PART#	QTY.
A	ASSEMBLY, ACCESSORIES	n/a	-
A1	PALLET, SHIPPING (NOT SHOWN)	158535	1
A2	CARTON, MK SCARIFIER SHIPPING (NOT SHOWN)	158536	1
A3	CARTON, SCARIFIER DRUM (NOT SHOWN)	158825	1
A4	MANUAL, OWNER'S (NOT SHOWN)	158537	1
A5	TUBE, OWNER'S MANUAL (NOT SHOWN)	155419	1
A6	(REFERENCE ONLY) SPACER, HARDEN STEEL	158575	-
A7	(REFERENCE ONLY) STAR, 5 POINT CARBIDE TIP (1 3/4 OD X 5/8" ID)	158492	-
A8	(REFERENCE ONLY) STAR, 6 POINT CARBIDE TIP (1 3/4 OD X 5/8" ID)	158493	-
A9	(REFERENCE ONLY) CUTTER, 18 SHARP TOOTH STEEL (2" OD X 9/16" ID)	158494	-
A10	(REFERENCE ONLY) CUTTER, 12 BLUNT TOOTH STEEL (2" OD X 5/8" ID)	158495	-
B	ASSEMBLY, FRAME	158609	-
B1	FRAME WELDMENT (MK RED)	158098	1
BA1	FRAME WELDMENT (ORANGE)	158098-OR	1
B2	PLATE, SERIAL NUMBER	157458	1
B3	#7 X 5/16 DRIVE SCREW	227214	4
B4	CAP, 2"OD VINYL	158914	1
B5	LABEL, 1 3/4 X 5" MK LOGO	154335	1
B6	LABEL, CAUTION, HANDS AND FEET	155585	1
B7	LABEL, CAUTION, DO NOT OPERATE WITH GUARDS REMOVED	155587	1
C	ASSEMBLY, FRAME DUST SCREEN	n/a	-
C1	SCREEN, RIGHT SIDE, FRAME DUST	158594	1
C2	SCREEN, LEFT SIDE, FRAME DUST	158595	1
C3	SCREEN, FRONT / BACK, FRAME DUST	158596	2
C4	SCREW, 1/4-20 X 1/2 PAN HEAD PHILLIPS CAP	155452	4
C5	SCREW, 1/4-20 X 1/2 FLAT HEAD PHILLIPS CAP	155812	4
C6	NUT, 1/4-20 KEPS	153941	8
C7	WASHER, 1/4 SAE FLAT	151915	8
D	ASSEMBLY, FRONT AXLE	n/a	-
D1	WHEEL, FRONT, 5 DIA. X 2	138537	2
D2	COLLAR, 3/4 SET	153814	2
D3	AXLE, 3/4 DIA. FRONT	158522	1
E	ASSEMBLY, TRUCK	n/a	1
E1	TRUCK, WELDMENT	158099	1
E2	WASHER, 3/4 SHIM	153699	~
E3	WHEEL, 4 DIA. X 2	158520	2
E4	PIN, COTTER, 1/8 X 1 1/2	153861	2
E5	BOLT, 1/2-13 X 4 HEX HEAD TAP	156626	2
E6	WASHER, 1/2 SAE FLAT	150924	4
E7	NUT, 1/2-13 TOP LOCK, HEX	153943	2

ITEM	DESCRIPTION	PART#	QTY.
F	ASSEMBLY, CONSOLE	n/a	-
F1	WELDMENT, CONSOLE (MK RED)	158100	1
FA1	WELDMENT, CONSOLE (ORANGE)	158100-OR	1
F2	LABEL, CONTROL	158287	1
F3	LABEL, DEPTH LOCK	155577	1
G	ASSEMBLY, STANDARD WIRE HARNESS	N/A	1
G	WIRE HARNESS, STANDARD, HONDA	158232	1
G	SWITCH, ENGINE ON/OFF	157851	1
H	ASSEMBLY, THROTTLE HONDA	-	-
H1	SCREW, 10-24 X 1/2 PAN HEAD PHILLIPS CAP	151744	2
H2	NUT, 10-24 CLIP	155407	2
H3	ASSEMBLY, THROTTLE HEAD	155406	1
H4	CABLE, THROTTLE, HONDA	154158	1
J	ASSEMBLY, DEPTH CONTROL	-	-
-	SUBASSEMBLY, DEPTH CONTROL WHEEL	155457	1
J1	WHEEL, DEPTH CONTROL	158574	1
J2	SCREW, 3/8-16 X 1/2 SOCKET HEAD SET	153710	1
J3	KNOB, 1" BALL	158519	1
J4	SCREW, 1/2 X 3/4 SOCKET HEAD SHOULDER, W/ 3/8-16 X 5/8 THREAD	156177	1
-	SUBASSEMBLY, DEPTH CONTROL TUBE	155460	1
J5	TUBE, DEPTH CONTROL	155049	1
J6	NUT, 3/8-16 NYLOCK HEX	152505	1
J7	SCREW, 3/8-16 X 2 HEX HEAD CAP	153485	1
J8	BEARING, FLANGE, W/ ZERK FITTING	155151	1
J9	SCREW, 3/8-16 X 1 1/4 HEX HEAD CAP	150774	2
J10	WASHER, 3/8 SAE FLAT	150923	1
J11	NUT, 3/8-16 NYLOCK HEX	152505	2
J12	SPACER, 1.5" DEPTH CONTROL	155161	1
J13	SCREW, 15" DEPTH CONTROL	158521	1
K	ASSEMBLY, DEPTH LOCK	N/A	-
K1	LOCK, 8-7/8 DEPTH CONTROL	157846	1
K2	KNOB, DEPTH LOCK	155845	1
K3	THRUST WASHER	155238	1
K4	NUT, 3/8-16 NYLOCK HEX	152505	1
L	ASSEMBLY, QUICK LIFT AND LOWERING LEVER	N/A	-
L1	LEVER	158102	1
L2	KNOB, 2" BALL	158519	1
L3	SCREW, 3/8-24 X 1 HEX HEAD CAP	157803	1
L4	WASHER, 3/8 SAE FLAT	150923	1
L5	WASHER, 3/8 SPLIT LOCK	150925	1
L6	PIVOT, SHAFT	158288	1

ITEM	DESCRIPTION	PART#	QTY.
L7	SCREW, 1/2-13 X 1 1/4 HEX HEAD CAP	153532	1
L8	WASHER, 1/2 SPLIT LOCK	153524	1
L9	WASHER, 1/2 SAE FLAT	150924	1
M	ASSEMBLY, ENGINE MOUNT	N/A	-
M1	ENGINE, MOUNT (MK RED)	158101	1
MA1	ENGINE, MOUNT (ORANGE)	158101-OR	1
M2	BOLT, 3/8-16 X 1 HEX HEAD CAP	152507	4
M3	WASHER, 3/8 SAE FLAT	150923	9
M4	WASHER, 3/8 SPLIT LOCK	150925	3
M5	NUT, 3/8-16 NYLOCK HEX	152505	2
M6	NUT, 3/8-16 HEX	101188	3
M7	BOLT, 3/8-16 X 3 HEX HEAD TAP	155830	1
M8	LABEL, CAUTION, BELT TENSION	155583	1
M9	LABEL, CAUTION, SPARKPLUG	155579	1
N	ASSEMBLY, ENGINE, 9HP HONDA	155396-MK	1
N1	ENGINE, HONDA GX240 9 HP W/ CYCLONE FILTER	155396	1
N2	DEFLECTOR, HONDA	155375	1
N3	SCREW, 6-32 X 3/8 PAN HEAD PHILLIPS SELF-TAPPING CAP	153466	3
N4	PULLEY, 2 1/2"OD, POLY-V	158470	1
N5	POLLY-V-BELT (350J16)	158469	1
N6	NUT, 3/8-16 HEX	101188	4
N7	WASHER, 3/8 SPLIT LOCK	150925	4
N8	WASHER, 3/8 SAE FLAT	150923	8
N9	SCREW, 3/8-16 X 2 HEX HEAD CAP	153485	4
N10	PIN, THROTTLE CONTROL	151284	1
N11	SCREW, 8-32 X 1/2 PAN HEAD PHILLIPS CAP	152517	1
N12	PIN, COTTER, 1/16 X 3/4	152518	1
N13	PLUG, 3/4 FLUSH HEAD BUTTON	156615	1
N14	OIL DRAIN, M12 X 3/8 PUSH	157577-02	1
N15	LABEL, CAUTION, HOT SURFACE, 1.5 X 3.0	155578	1
N16	LABEL, WARNING, REFUELING, 1.5 X 3.0	155580	1
N17	LABEL, DANGER, CALIFORNIA, 1.5 X 3.0	155581	1
N18	LABEL, DANGER, LETHAL EXHAUST, 1.5 X 3.0	155582	1
P	ASSEMBLY, BELT GUARD	N/A	-
P1	GUARD, BELT (MK RED)	158104	1
PA1	GUARD, BELT (ORANGE)	158104-OR	1
P2	SCREW, 3/8-16 X 1 HEX HEAD CAP	152507	3
P3	WASHER, 3/8 SAE FLAT	150923	3
P4	WASHER, 3/8 SPLIT LOCK	150925	3
P5	PLUG, 2" DIA REMOVABLE	158538	1
P6	LABEL, CAUTION, BELT TENSION	155583	1
P7	LABEL, CAUTION, GUARDS IN PLACE	155587	1

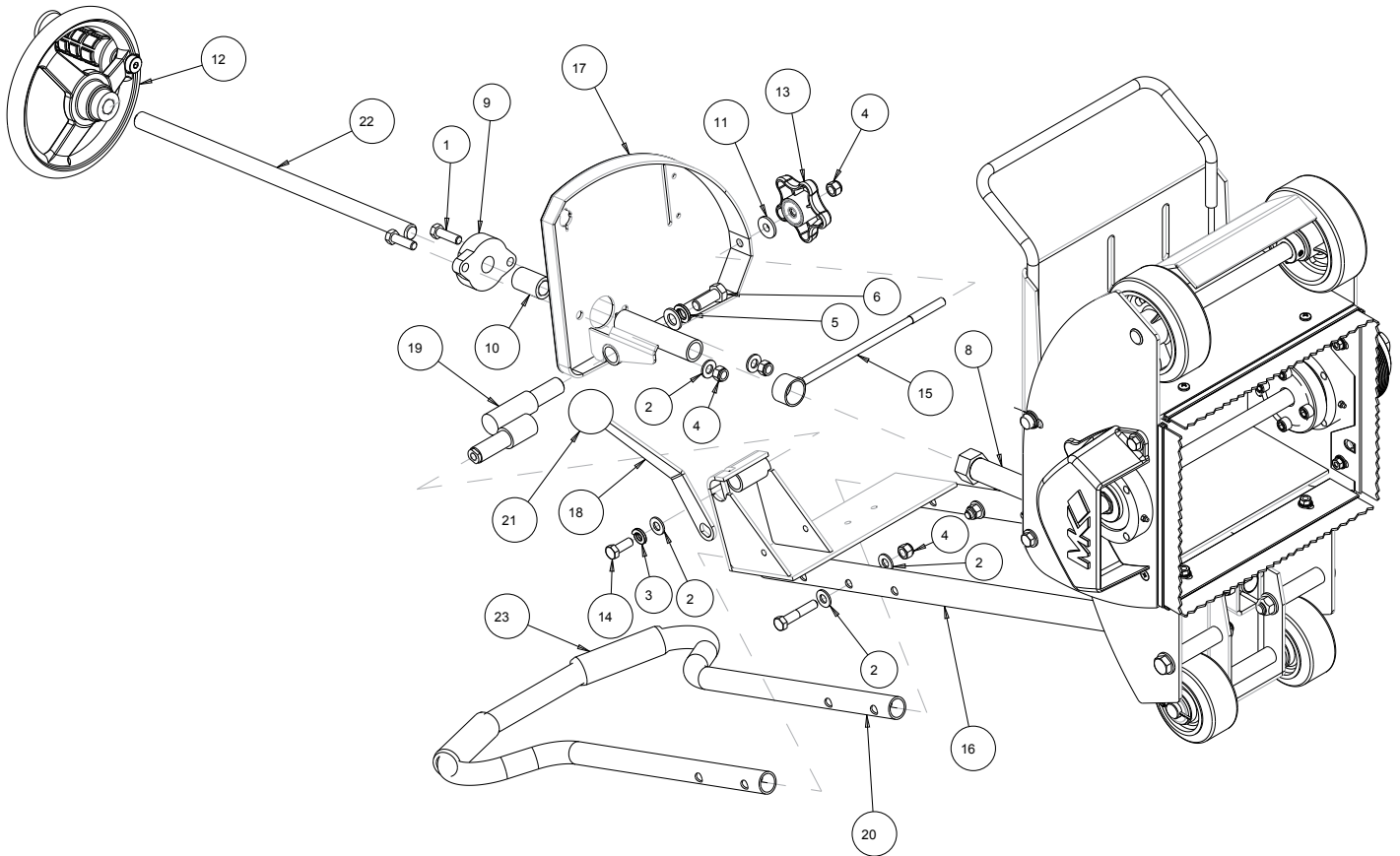
ITEM	DESCRIPTION	PART#	QTY.
Q	ASSEMBLY, SHAFT GUARD	N/A	-
Q1	GUARD, SHAFT (MK RED)	158581	1
QA1	GUARD, SHAFT (ORANGE)	158581-OR	1
Q2	SCREW, 3/8-16 X 1 1/4 HEX HEAD CAP	150774	2
Q3	WASHER, 3/8 SAE FLAT	150923	4
Q4	WASHER, 3/8 SPLIT LOCK	150925	2
Q5	NUT, 3/8-16 HEX	101188	2
R	ASSEMBLY, DRUM BEARING	N/A	-
R1	HOUSING, BEARING	158467	2
R2	BEARING	158468	1
R3	BEARING, 1" HEX ID	160834	1
R4	SHAFT, PULLEY	158466	1
R5	SCREW, 3/8-24 X 3/4 SOC HEAD CAP	158496	4
R6	PULLEY, 4.0"OD, POLY-V (16J40 X 1 1/4 BORE)	158472	1
R7	SCREW, 3/8-24 X 1 HEX HEAD CAP	157803	8
R8	WASHER, 3/8 SAE FLAT	150923	8
R9	WASHER, 3/8 SPLIT LOCK	150925	8
S	ASSEMBLY, 8" DRUM	158460	1
S1	DRUM, WELDMENT, 8"	158461	1
S2	BUSHING, DRUM (.515 ID) OR (33/64 ID)	158462	18
S3	SHAFT, 8" HARDEN STEEL	158463	6
S4	RING, DRUM RETAINING	158464	2
S5	SCREW, 5/16-18 X 3/4 TAP,	151369	6
S6	WASHER, 5/16 SPLIT LOCK	151747	6
S7	WASHER, 5/16 FLAT SAE	151754	6
S8	BUSHING, FLANGED (.515 ID) OR (33/64 ID)	165248	12
T	ASSEMBLY, 8" DRUM, DRIVE SHAFT	N/A	-
T1	SHAFT, 8" DRUM, DRIVE	158465	1
T2	NUT, 5/8-11 HEX JAM (LEFT HAND THREAD)	158577	2
U	ASSEMBLY, HANDLEBAR	N/A	-
U1	HANDLEBAR	158359	1
U2	HANDGRIP	150842	2
U3	SCREW, 3/8-16 X 1 HEX HEAD CAP	156602	2
U4	WASHER, 3/8 SPLIT LOCK	150925	4
U5	WASHER, 3/8 SAE FLAT	150923	4

MK SG-5PH 220 V NO DRUM PART # 170573



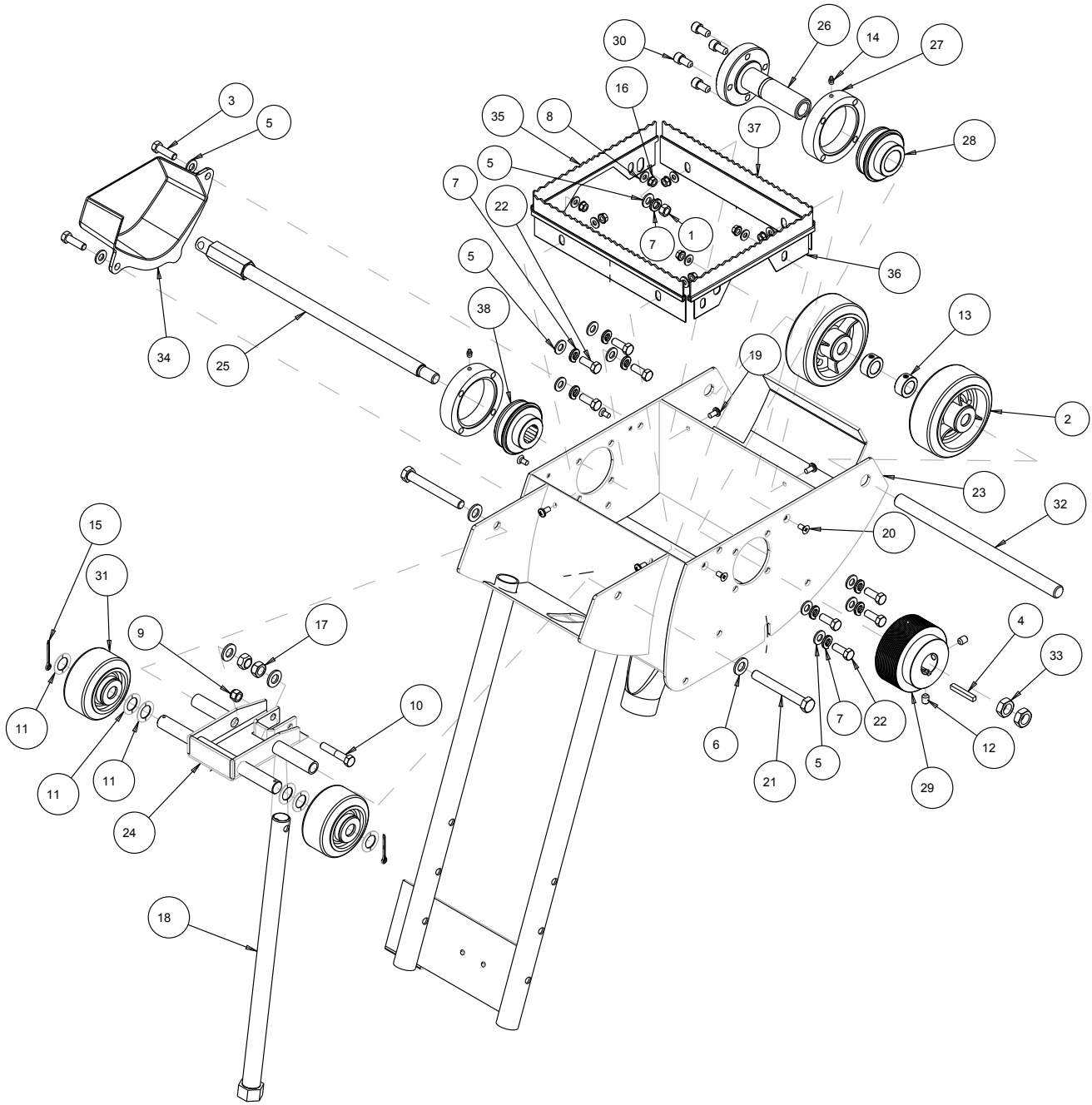
ITEM	DESCRIPTION	PART#	QTY.
1	KEY, 1/4 SQR X 1 - 3/4	150796	1
2	WASHER, FLAT, SAE, 3/8	150923	11
3	WASHER, LOCK, SPLIT, 3.8	150925	11
4	WASHER, FLAT, SAE, 1/4	151915	2
5	SCREW, HEX HD CAP, 3.8 - 16 X 1	152507	11
6	WASHER, LOCK, SPLIT, 1/4	152591	2
7	SCREW, 5/16 - 18 X 1/2 SOCKET HEAD SET	152607	4
8	SCREW, HEX HD, TAP, 1/4 - 20 X 1	152676	2
9	MTR, 5PH 230V 1PH 50PZ	152759	1
10	PLATE, MOTOR MOUNT (COMP)	155824	1
11	GUARD, BELT (COMP)	158104	1
12	BELT, 16J350	158469	1
13	PLUG, 2" DIA, REMOVABLE	158538	1
14	PULLEY, 16J25 X 1 - 1/8 BORE	160411	1
15	LABEL, 230V	168652	1
16	MK-SG-II LESS ENGINE	170578	1

MK SG-II LESS ENGINE PART # 170578



ITEM	DESCRIPTION	PART#	QTY.
1	SCREW, 3/8 - 16 X 1 - 1/4 HEX HEAD CAP	150774	6
2	WASHER, FLAT, SAE 3/8	150923	25
3	WASHER, LOCK, SPLIT, 3/8	150925	15
4	NUT, HEX, NYLK, 3/8 - 16	152505	8
5	WASHER, 1/2 SPLIT LOCK	152524	1
6	SCREW, 1/2 - 13 X 1 - 1/4 HEX HEAD CAP	153532	1
7	NUT, 1/2 - 13 HEX	153943	2
8	LINKAGE, DEPTH FEED 1600/9000	155049	1
9	BEARING, FHSLF 204 - 12G FLANGE	155151	1
10	SPACER, DEPTH CONTROL	155161	1
11	WASHER, THRUST	155238	1
12	ASSY, CRANK WHEEL, 3/4 - 10	155457	1
13	KNOB, AD, 5 PRONG COMP	155845	1
14	SCREW, HEX HD, 3/8 - 24 X 1	157803	9
15	LOCK, DEPTH CONTROL, 8-7/8	157846	1
16	WELDMENT, MAIN FRAME	158098	1
17	WELDMENT, CONSOLE	158100	1
18	LEVER, ENGAGEMENT	158102	1
19	PIVOT BAR, ENGAGEMENT	158288	1
20	HANDLEBAR	158359	1
21	KNOB, BALL, 2", 3/8 - 16 INSERT	158519	1
22	STUD, 3/4 - 10 X 17"	158521	1
23	GRIP, HANDLE	229413	2

MK SG-II LESS ENGINE PART # 170578



MK SG-II LESS ENGINE PART # 170578

ITEM	DESCRIPTION	PART#	QTY.
1	NUT, HEX, 3/8 - 16	101188	2
2	WHEEL, FRONT 5" x 2" W	138537	2
3	SCREW, 3/8 - 16 X 1 - 1/4 HEX HEAD CAP	150774	2
4	KEY, 1/4 SQR X 1 - 3/4	150796	1
5	WASHER, FLAT, SAE, 3/8	150923	12
6	WASHER, 1/2 SAE FLAT	150924	4
7	WASHER, LOCK, SPLIT, 3/8	150925	10
8	WASHER, FLAT, SAE, 1/4	151915	8
9	NUT, HEX, NYLK, 3/8 - 16	152505	1
10	SCREW, HEX HD, CAP, 3/8 - 16 X 2	153485	1
11	SHIM, .045 THK .750 ID 1.250 OD	153699	6
12	SCREW, SET, SOC, CUP, 3/8 - 16 X 1/2	153710	2
13	COLLAR, SET, 3/4"	153814	2
14	FITTING, 1/4 - 28 GREASE	153852	2
15	PIN, COTTER 18 X 1 - 1/2	153861	2
16	NUT, HEX, TW, 1/4 - 20	153941	8
17	NUT, 1/2 -13 HEX	153943	2
18	LINKAGE, DEPTH FEED 1600/9000	155049	1
19	SCREW, PAN HD, CAP, 1/4 - 20 X 1/2	155452	4
20	SCREW, FLAT HEAD, 1/4 - 20 X /12 PHIL	155812	4
21	SCREW, HEX HD, TAP, 1/2 - 13 X 4	156626	2
22	SCREW, HEX HD, 3/8 - 24 X 1	157803	8
23	WELDMENT, MAIN FRAME	158098	1
24	WELDMENT, TRUCK, SCARIFIER	158099	1
25	SHAFT, DRUM HEX, SCARIFIER	158465	1
26	SHAFT, PULLEY	158466	1
27	HOUSING, BEARING	158467	2
28	BEARING, 207 SERIES	158468	1
29	PULLEY, 16J40 X 1 -1/4 BORE	158472	1
30	SCREW, SOC, HD, CAP, 3/8 - 24 X 3/4	158496	4
31	WHEEL, 4" DIA X 2" W, 3/4 ID BEARING	158520	2
32	AXLE, FRONT	158522	1
33	NUT, HEX JAM 5/8 - 11 UNC LH	158577	2
34	GUARD, SHAFT (COMP)	158581	1
35	ASSY, DUST SCREEN, RIGHT SIDE	158594	1
36	ASSY, DUST SCREEN, LEFT SIDE	158595	1
37	SCREEN, FRONT/BACK, DUST	158596	2
38	BEARING, 1" ID - UCS207 - 1" HEX	160834	1